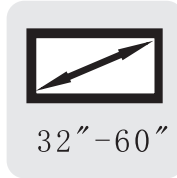


Wall Mount

INSTALLATION GUIDE

Model. GMPT26N7



32"-60"



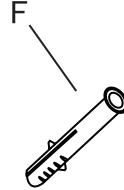
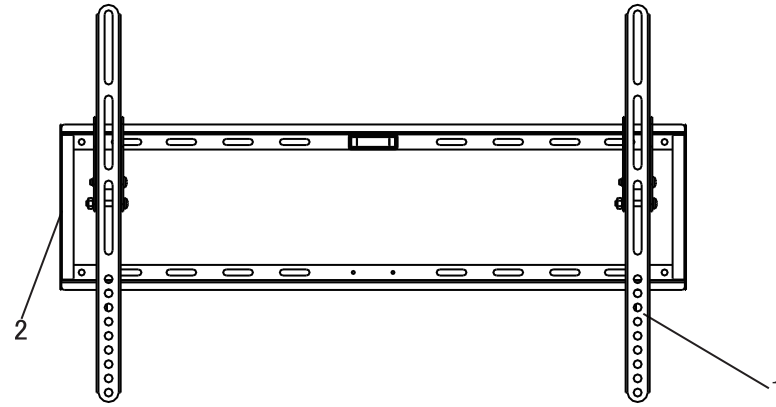
45KG/99lbs



VESA

600x400

Hardware List:



ID	Qty	Description
1	2	Bracket
2	1	Wall mount
A	4	M4*20mm bolt
B	4	M6*25mm bolt
C	4	M8*25mm bolt

ID	Qty	Description
D	4	φ18 × φ8.5 × 10 spacer
E	8	M6 washer
F	4	φ6 × 40 Wall anchor
G	4	St6 × 50 bolt

1

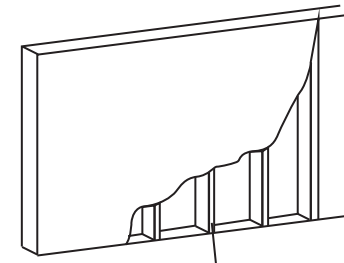


Fig 1

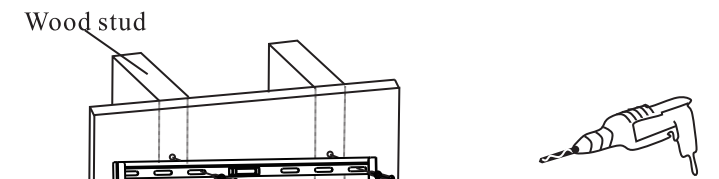


Fig 2

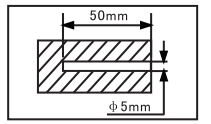


Fig 3

2

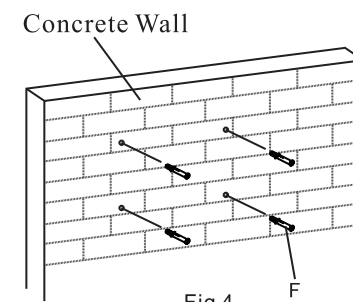


Fig 4

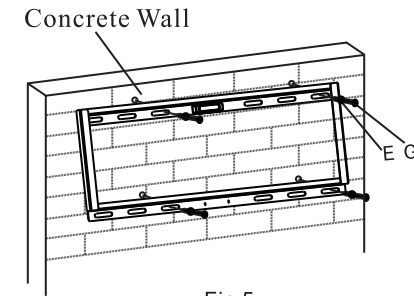


Fig 5

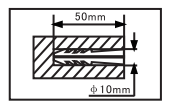


Fig 6

3

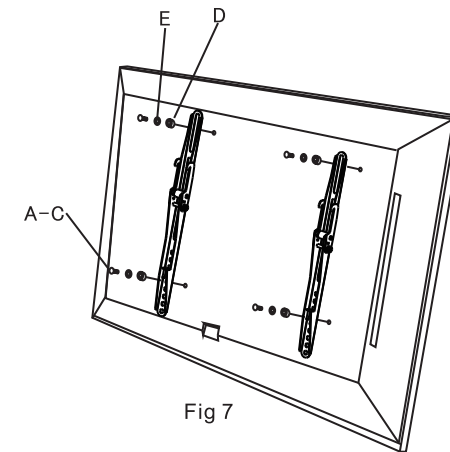


Fig 7

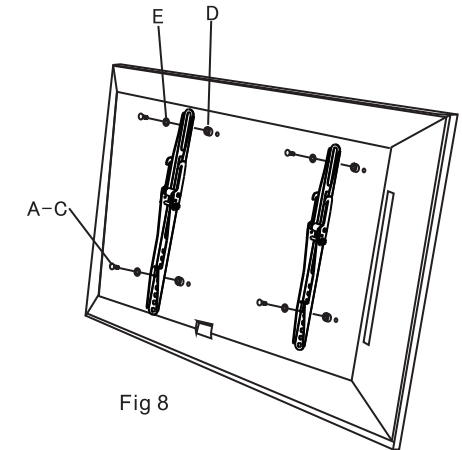


Fig 8



Fig 9

4

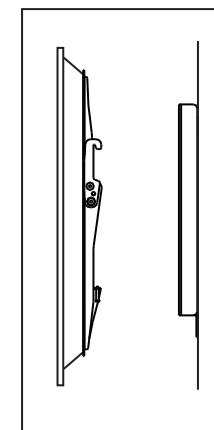


Fig 10

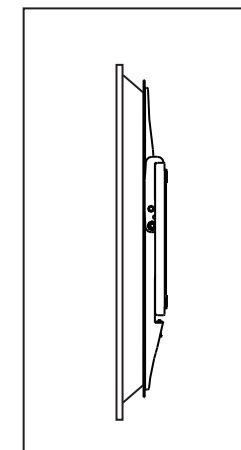


Fig 11